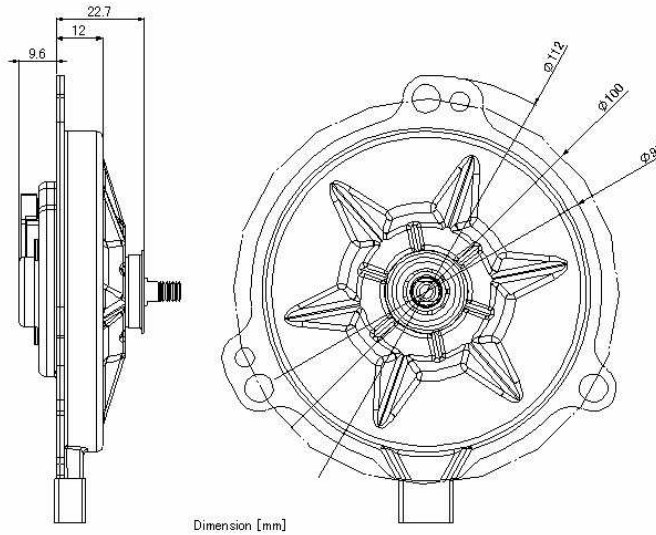


Coreless Flat Motor

MODEL Y-74F



Dimension [mm]

Voltage	(電圧)	12 [V]
No Load Speed	(無負荷回転数)	6350 [r/min]
No Load Current	(無負荷電流)	0.8 [A]
Operating Point (動作点)		
	Torque (トルク)	0.075 [N・m]
	Speed (回転数)	4650 [r/min]
	Current (電流)	5.0 [A]
	Output (出力)	36.6 [W]
	Efficiency (効率)	60 [%]
Noise	(騒音)	55 [dB(A)]
Weight	(重量)	330 [g]
Motor Life (モータ寿命)		
		1200 Cycle More Than

