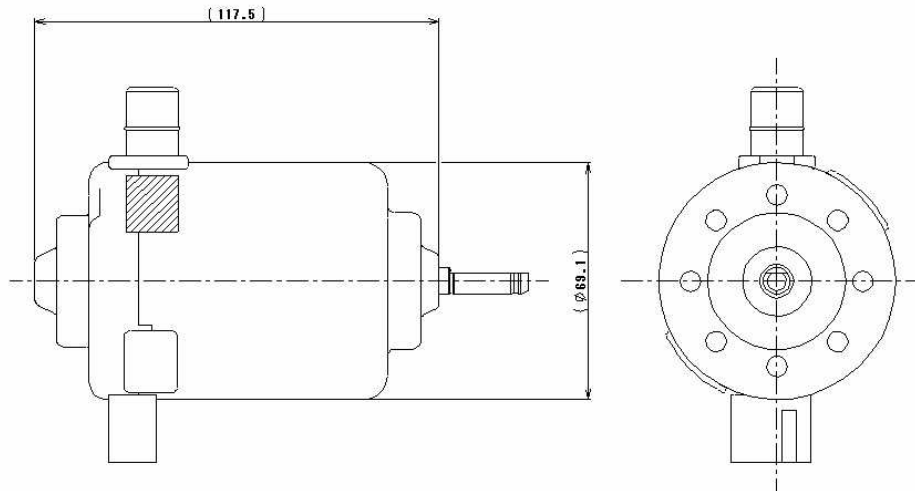


MODEL YA-260



Dimension [mm]

Voltage (電圧)	12 V
No Load Speed (無負荷回転数)	4300 rpm
No Load Current (無負荷電流)	1.4 A
Operating Point (動作点)	
Torque (トルク)	0.460 Nm
Speed (回転数)	2800 rpm
Current (電流)	19.0 A
Output (出力)	134.9 W
Efficiency (効率)	59.2 %
Noise (騒音) 4V-100mm	40 dBA
Weight (重量)	900 g

Motor Life (モータ寿命)
 Cycle Durability : 2500 Cycle More Than
 (サイクル耐久 : 2500サイクル以上)

