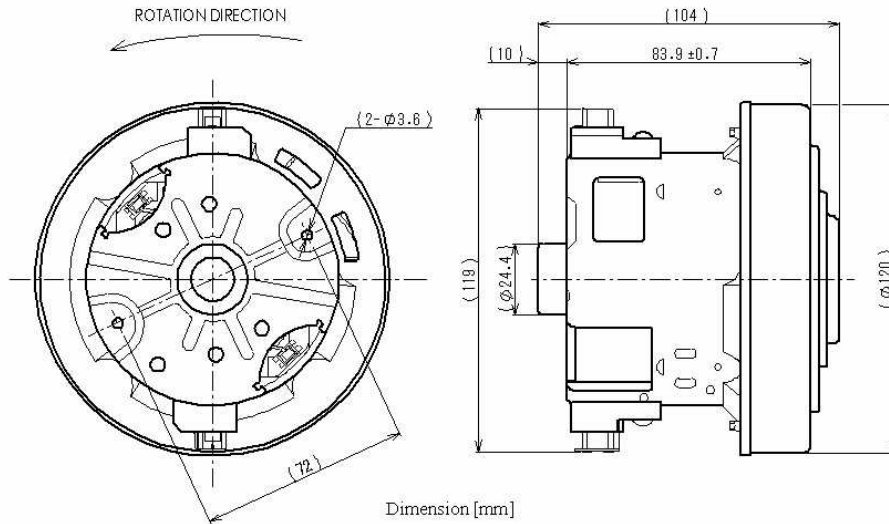


# MODEL YV-2700



Voltage (電圧)	100v (50/60Hz)
Input Power Max. (入力)	1480W at open
Output Max. (出力)	640W at 31dm <sup>3</sup> /s
Vacuum Max. (真空圧)	27.3kPa at 17dm <sup>3</sup> /s
Airflow Max. (風量)	51.2dm <sup>3</sup> /s at open
Efficiency Max. (効率)	52.50%
Rotational Frequency Min. (回転数)	38000r/min
Life (寿命)	400h
Mass (重量)	1.12kg
Insulation Class (絶縁クラス)	E
Remarks (備考)	100v Only

