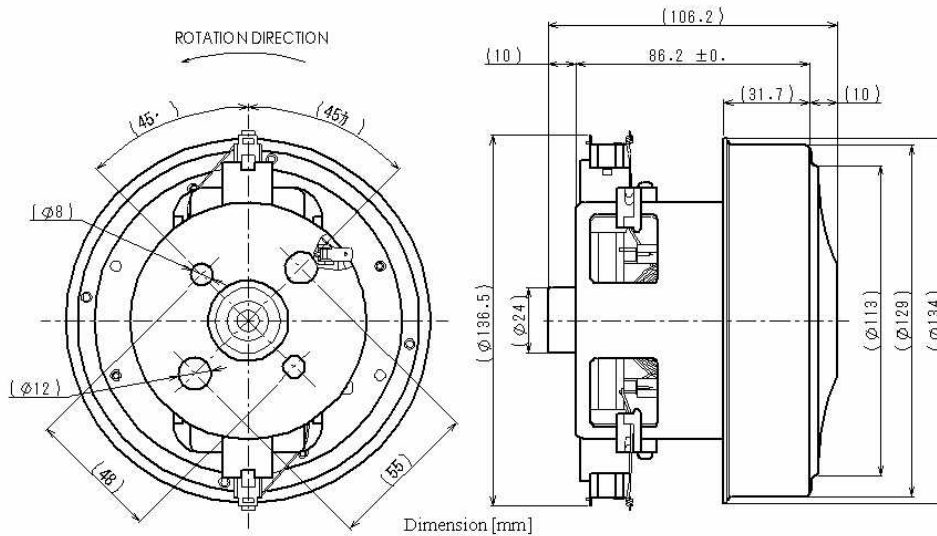


MODEL YV-530



Voltage (電圧)	100v (50/60Hz)
Input Power Max. (入力)	650W at open
Output Max. (出力)	250W at 27.3dm ³ /s
Vacuum Max. (真空圧)	16.5kPa
Airflow Max. (風量)	45.2dm ³ /s at open
Efficiency Max. (効率)	41% at 27.3dm ³ /s
Rotational Frequency Min. (回転数)	23500r/min
Life (寿命)	3000h
Mass (重量)	1.29kg
Insulation Class (絶縁クラス)	A
Remarks (備考)	100v Only

